

6

5

4

3

2

1

D

C

B

A

D

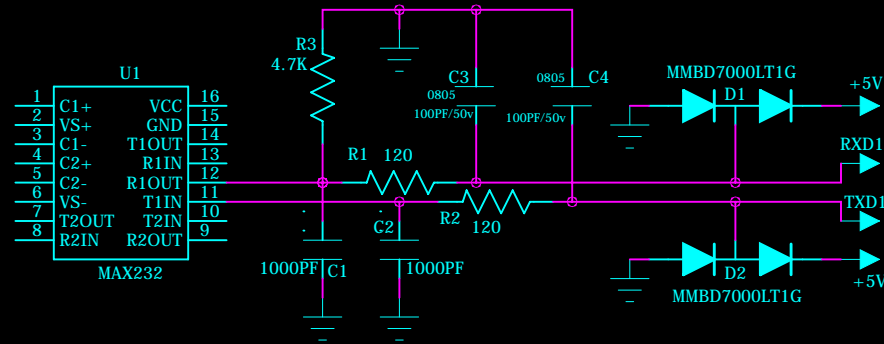
C

B

A

REVISION RECORD

LTR	ECO NO:	APPROVED:	DATE:



COMPANY: <Company Name>

TITLE: <Title>

DRAWN: <Drawn By>	DATED: <Drawn Date>
CHECKED: <Checked By>	DATED: <Checked Date>
QUALITY CONTROL: <QC By>	DATED: <QC Date>
RELEASED: <Released By>	DATED: <Release Date>

CODE: <Code>	SIZE: A	DRAWING NO: <Drawing Number>	REV: <Revision>
-----------------	------------	---------------------------------	--------------------

SCALE: <Scale> SHEET: 1 OF 1