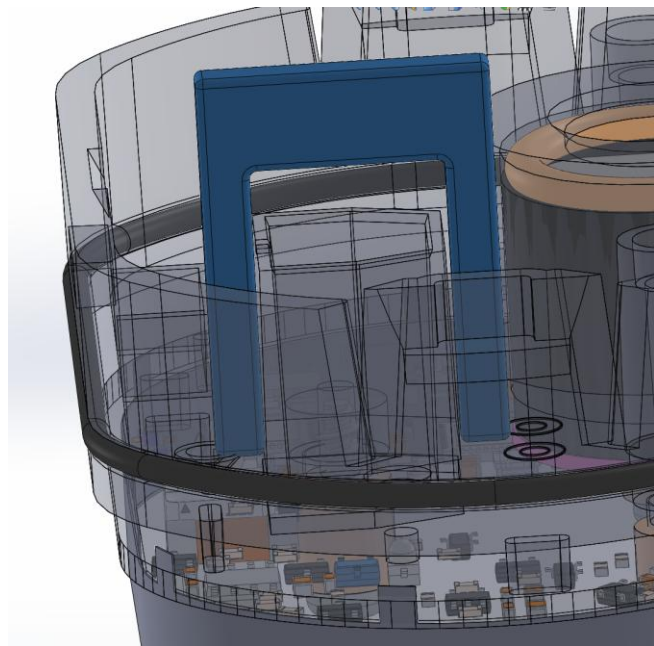
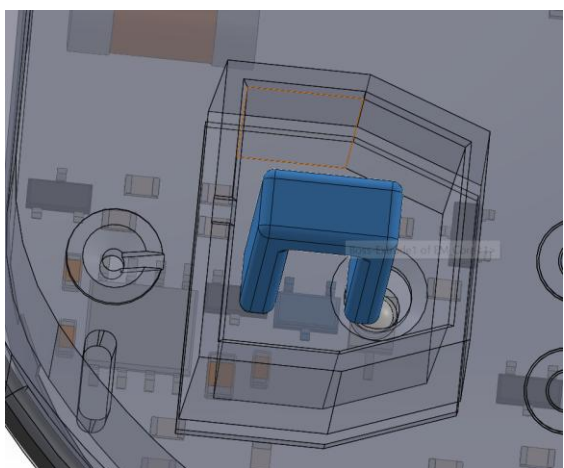
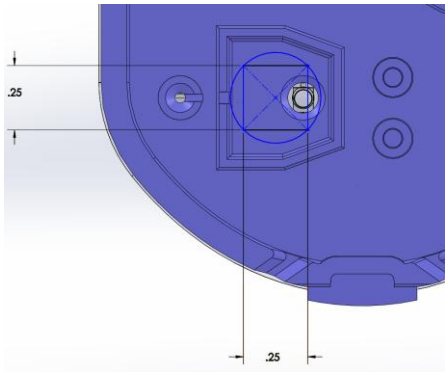
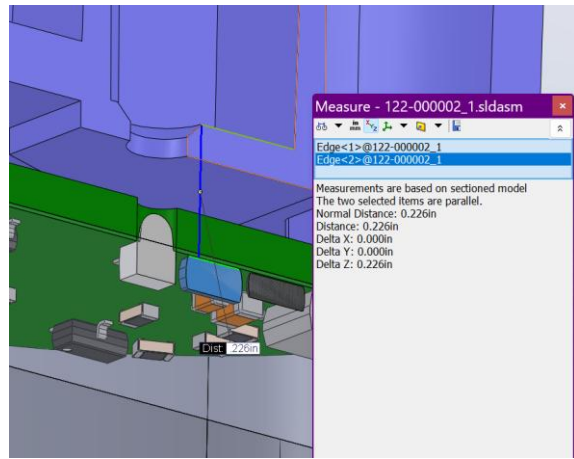
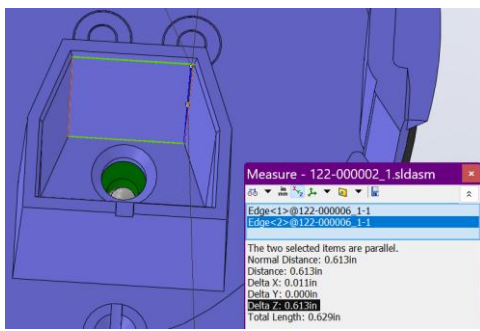
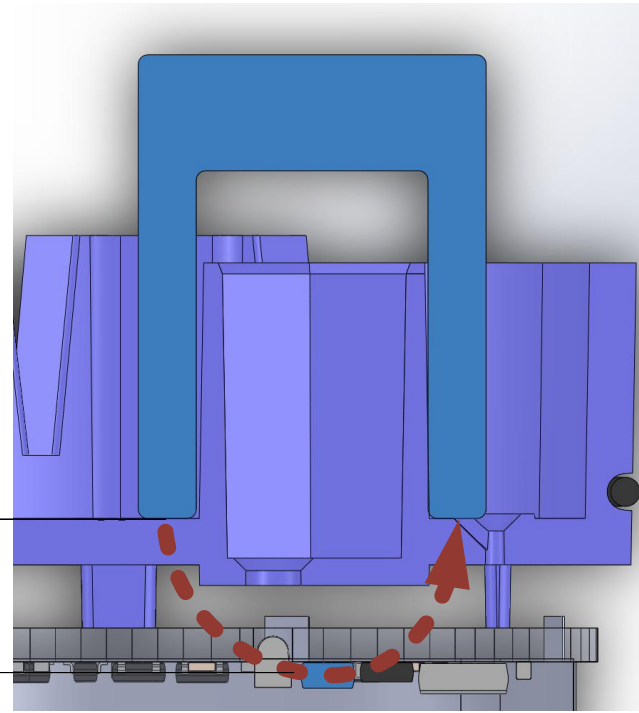
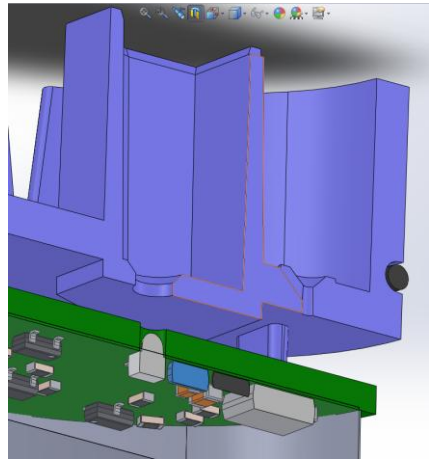
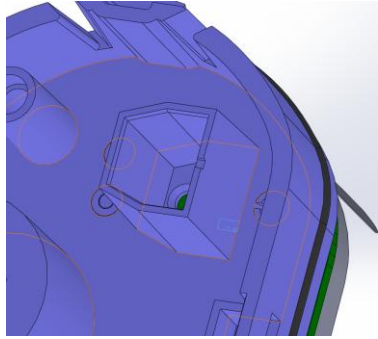
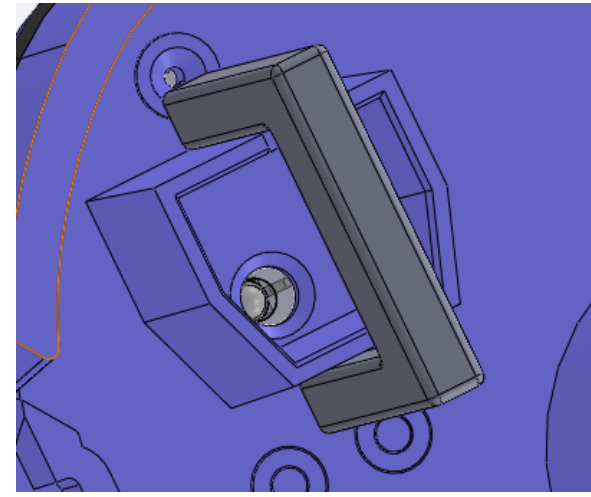
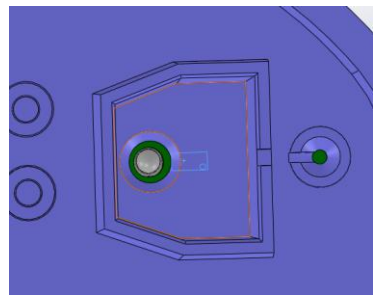
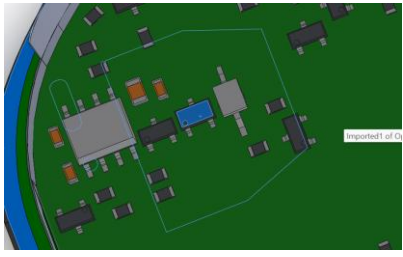
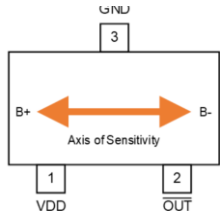


CT8131BV – ELECTRICAL CHARACTERISTICS and MAGNETIC SPECIFICATIONS: Unless otherwise specified, valid for $V_{DD} = 1.7$ to 5.5 V, $C_{GPP} = 1.0$ μ F, and $T_A = -40^\circ$ C to 125° C, typical values are $V_{DD} = 3.3$ V and $T_A = 25^\circ$ C

Characteristics	Symbol	Test Conditions	Min.	Typ.	Max.	Unit
Average Supply Current	$I_{DD(AVG)}$	$t \geq 10$ seconds	–	140	900	nA
	$I_{DD(AVG), 1.8V}$	$t \geq 10$ seconds, $V_{DD} = 1.8$ V	–	110	900	nA
Sampling Frequency	f_{S1}		1	2	4	Hz
Idle Mode Time	t_{DLE1}	$f_s = 2$ Hz	250	500	1000	ms
Operate Point, B+	B_{OPS}		23	30	38	G
Operate Point, B-	B_{OPN}		-38	-30	-23	G
Release Point, B+	B_{RPS}		14	20	27	G
Release Point, B-	B_{RPN}		-27	-20	-14	G
Hysteresis	B_{HYST}		5	10	–	G



0.34"