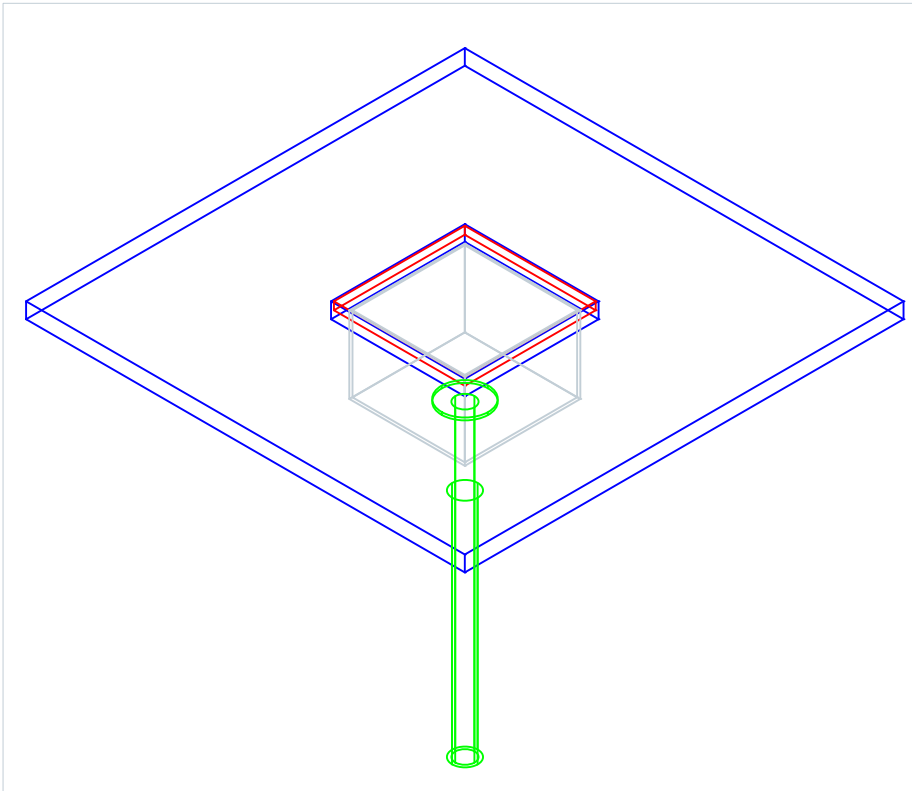
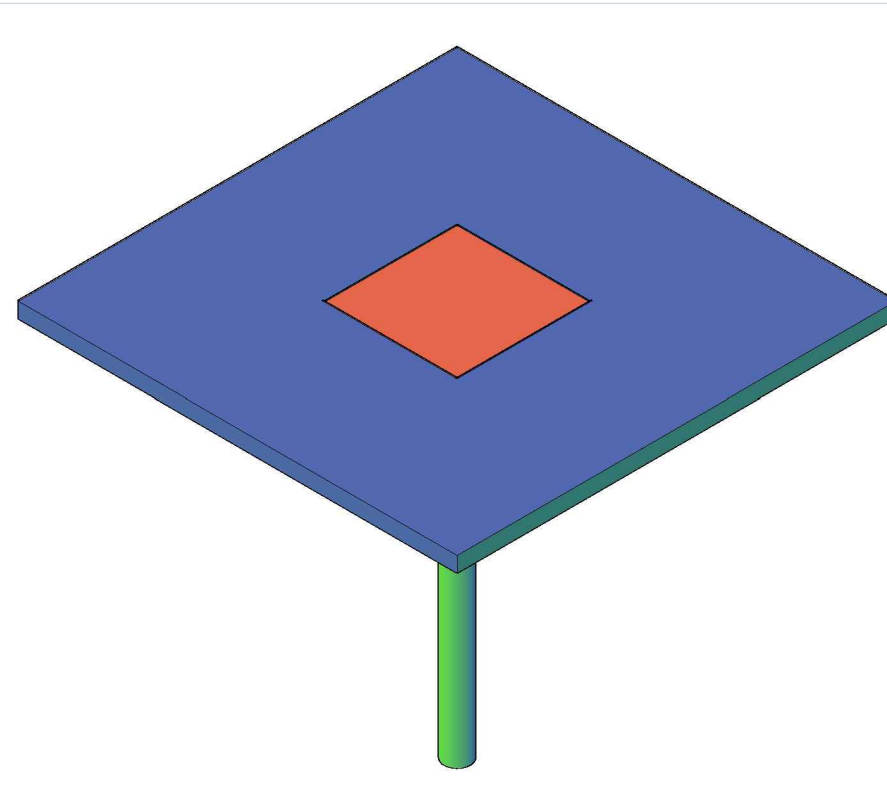


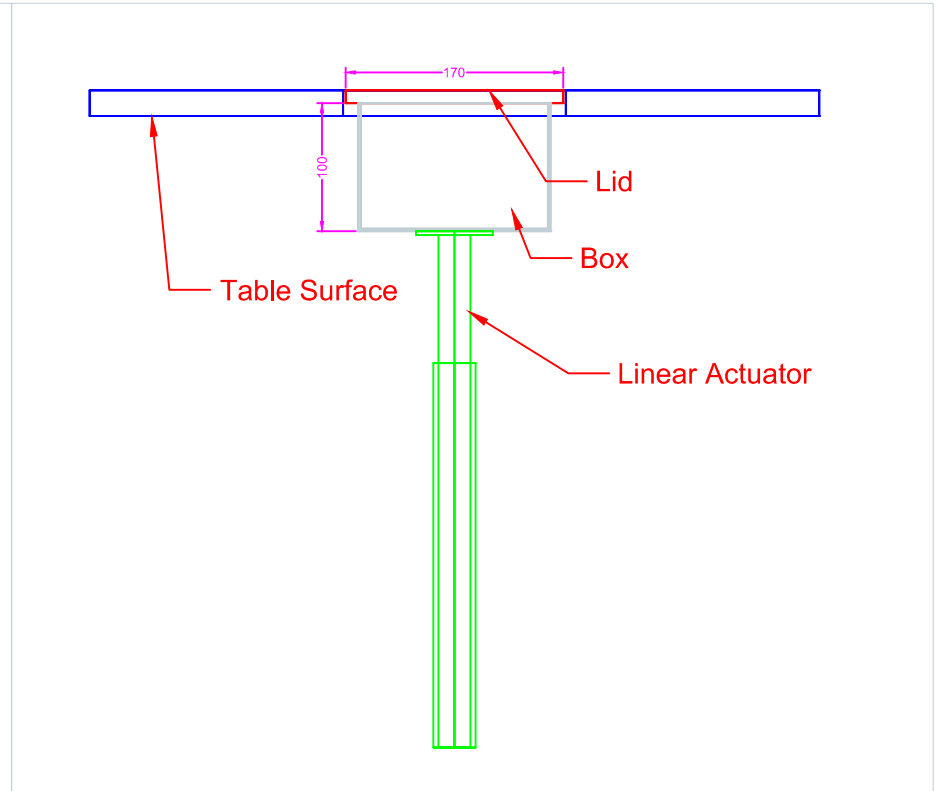
INITIAL POSITION



Perspective - Wireframe

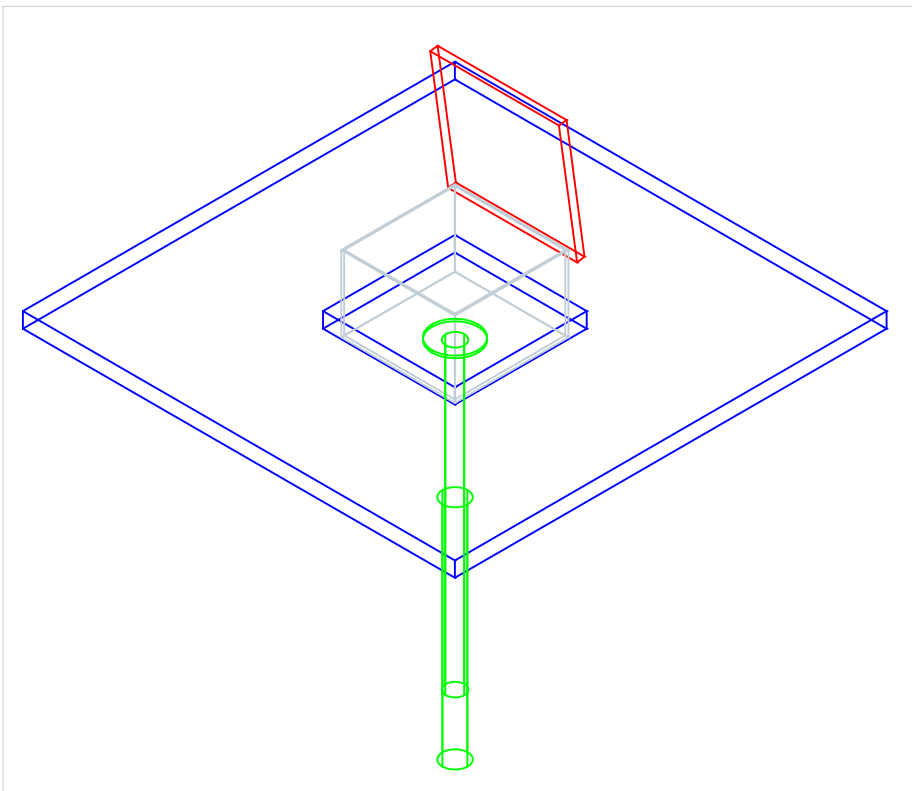


Perspective - Conceptual

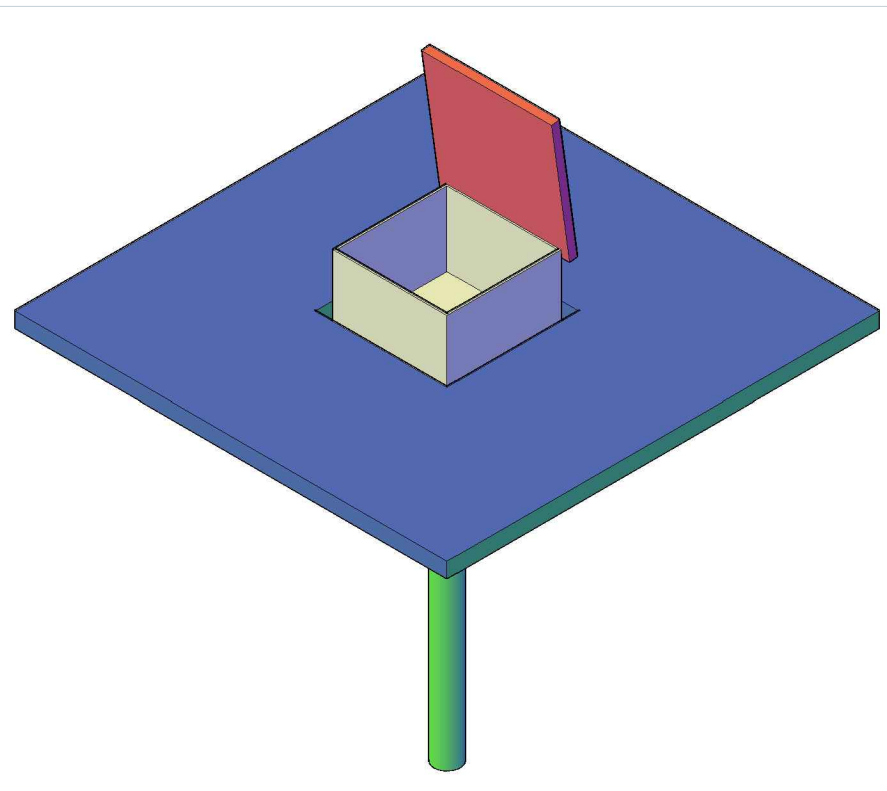


Front View - Wireframe

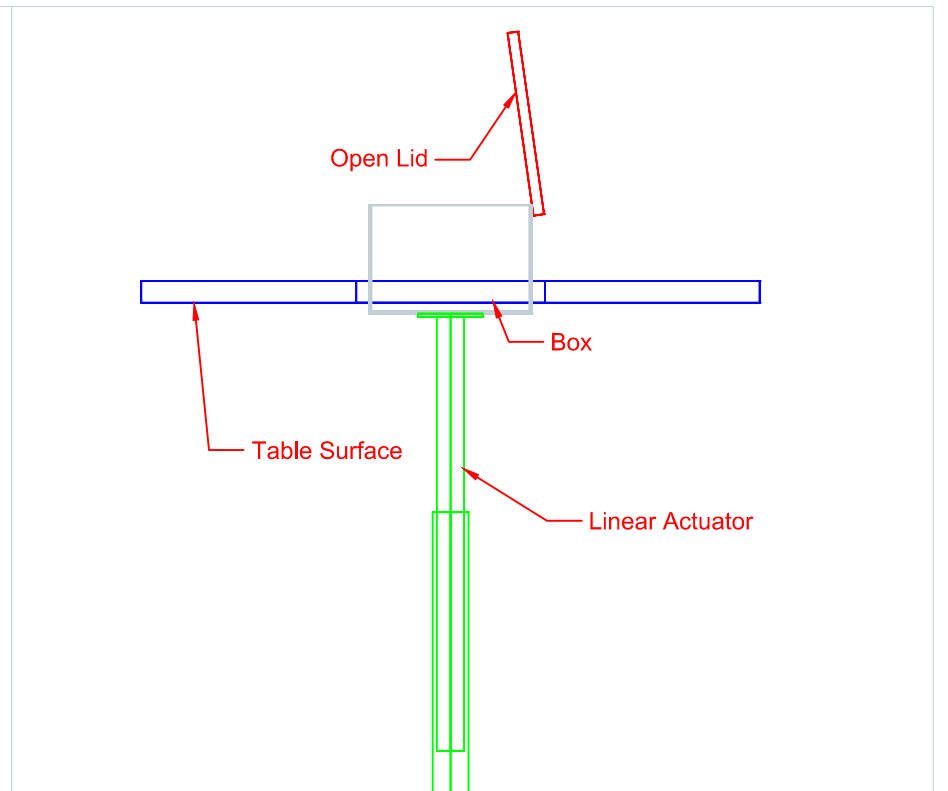
AFTER THE ACTUATOR LIFTS UP



Perspective - Wireframe



Perspective - Conceptual



Front View - Wireframe